

Cim 80

BRASS SWING CHECK VALVE - METAL TO METAL SEATING

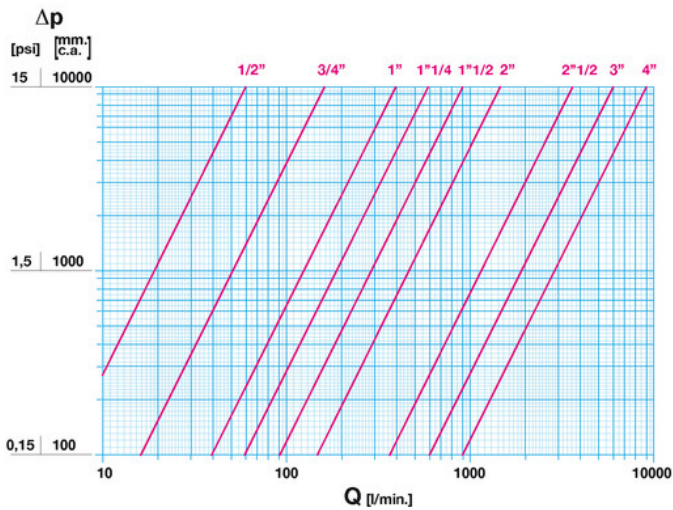


It is made of a brass alloy that complies with standard EN 1982-CC754S.

Nominal Pressure: PN16

Operating temperature: -10 ÷ 150°C

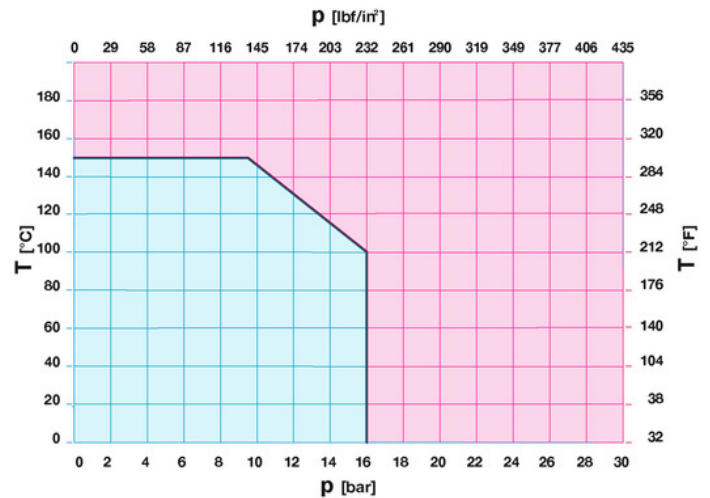
FLOW AND PRESSURE DROP



Notes:

- 1 l/min = 0,06 m³/h
- 1 m³/h = 16,67 l/min
- 1 bar = 10.000 mm w.c.
- 1 psi = 690 mm w.c.

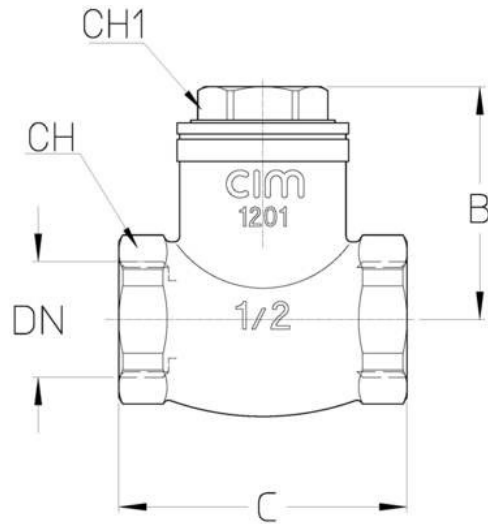
PRESSURE TEMPERATURE RATINGS



Notes:

- 1 bar = 14,5 psi
- 1 bar = 14,5 lbf/in²
- °C = 5/9 x (°F-32)
- °F = 32 + (9/5 x °C)

TECHNICAL DRAWING



DN	1/2"	3/4"	1"	1"1/4	1"1/2	2"	2"1/2	3"	4"
Grms.	245	350	500	740	900	1500	2250	3300	5850
B	43	46	53	61	63	70	86	94	113
C	52	62	70	84	87	106	119	137	170
D	13	15	13,5	18,5	15,5	20	23	20	24,5
CH	28	34	41	50	57	70	85	100	127
CH1	21	26	32	37	42	52	65	75	89

TECHNICAL CHARACTERISTICS

KV									
DN	1/2"	3/4"	1"	1"1/4	1"1/2	2"	2"1/2	3"	4"
KV	3,6	9,5	23	35	56	86	222	360	540

KV = Capacity in m³/h at pressure drop of 1 bar

KVS = Water flow generated by a pressure loss of 1 bar measured on the test points.

CERTIFICATIONS

